

Technical specification sheet

Mobile Cutter | **ICU 05 A 30**

Specifications

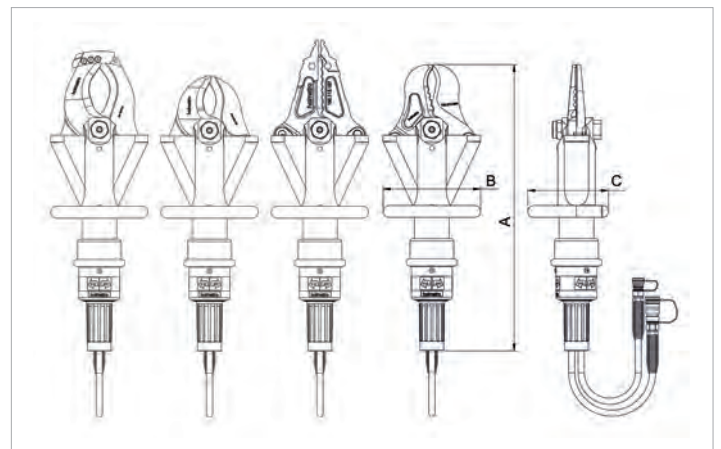
article number	170.012.100	
model	ICU 05 A 30	
blade type	30 standard	
cutter type	mobile	
short description	Mobile Cutter	
max. working pressure	bar/Mpa	500 / 50
max. cutting opening	mm	98
max. cutting force	kN/t	124 / 12.6
required oil content (effective)	cc	37
weight, ready for use	kg	9.4
temperature range	°C	-20 + 80

Technical drawing dimensions

dimension A	mm	580
dimension B	mm	205
dimension C	mm	170

Accessories

Leather Protection Cover	130.183.012	
Ring Spanner ICU 05	170.182.005	
Torque Wrench	150.581.671	
Lubricants Set	170.013.021	



CIS LTD.
HYDRAULIC SOLUTIONS

