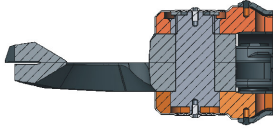
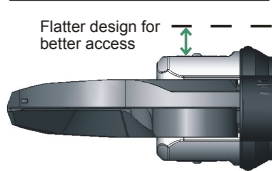




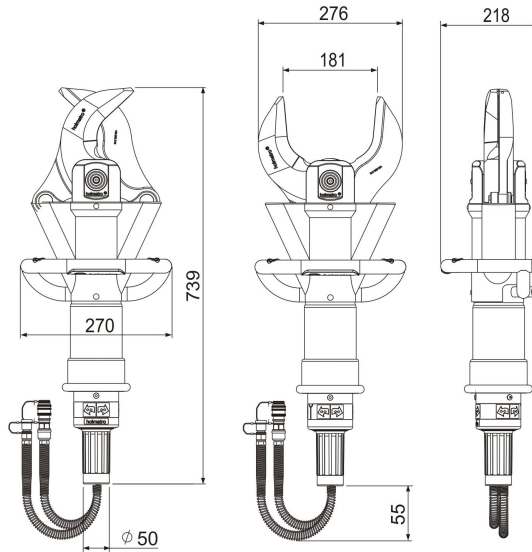
i-bolt central bolt construction



Squeezes blades directly for a superior cutting performance.

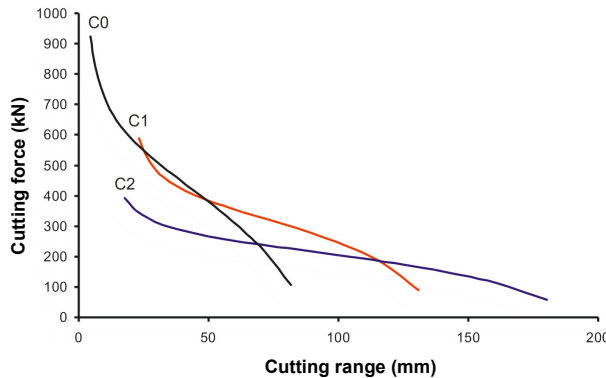
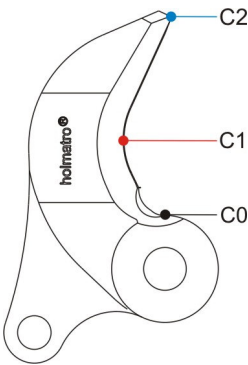


Flatter design for better access



SPECIFICATIONS	
article number	170.012.047
equipped with	dual hoses
working pressure	720 bar
blade opening	181 mm
cutting force	927 kN / 95 t
round bar	41 mm
shape of blade	90° blade angle
weight, ready for use	18.5 kg
dimensions (LxWxH)	739 x 270 x 218 mm
temperature reach	-20° + 80° C
torque main bolt	50 Nm
required oil contents	162 cc (effective)
EN 13204 classification	BC165 H-18.5
Standard with i-bolt central bolt construction	

ACCESSORIES	Art.no.
maintenance set (cylinder)	150.013.482
maintenance set (control handle)	150.013.477
spare blade set	150.013.440
torque wrench, 40-200 Nm	150.581.671
ratched head for torque wrench	150.581.672
cap hexagon 41 mm	150.581.691



The ICU 40 A 30 is constructed to cut the most advanced, and high-grade materials, and constructions.

For more information see the diagram.

SAFETY FACTORS / TESTS

Safety factor tool, hydraulic: 2 x 720 bar = 1440 bar

Safety factor hoses: 4 x 720 bar = 2880 bar

Endurance test deadman's handle: 6000 cycles

Endurance test tool: 1000 cycles of biting in a bar that can't be cut at 720 bar.

© Holmatro® 12-06

While the greatest care has been devoted to the content, it is possible that the information in this printed matter is incorrect or incomplete. Holmatro N.V. and its affiliated companies (hereafter: Holmatro) cannot be held liable in any way for the consequences of activities undertaken on the basis of this printed matter. If you have any doubts about the correctness or completeness on the information, you shall contact Holmatro (phone number: +31 (0)162-589200).

Nothing from this printed matter can be copied and/or made public in any way without the explicit authorization of Holmatro