

Hydraulic hand tools



32
36
41

1"1/4
1"7/16
1"5/8
1"13/16
2"
INCH

Puller sets - spring return



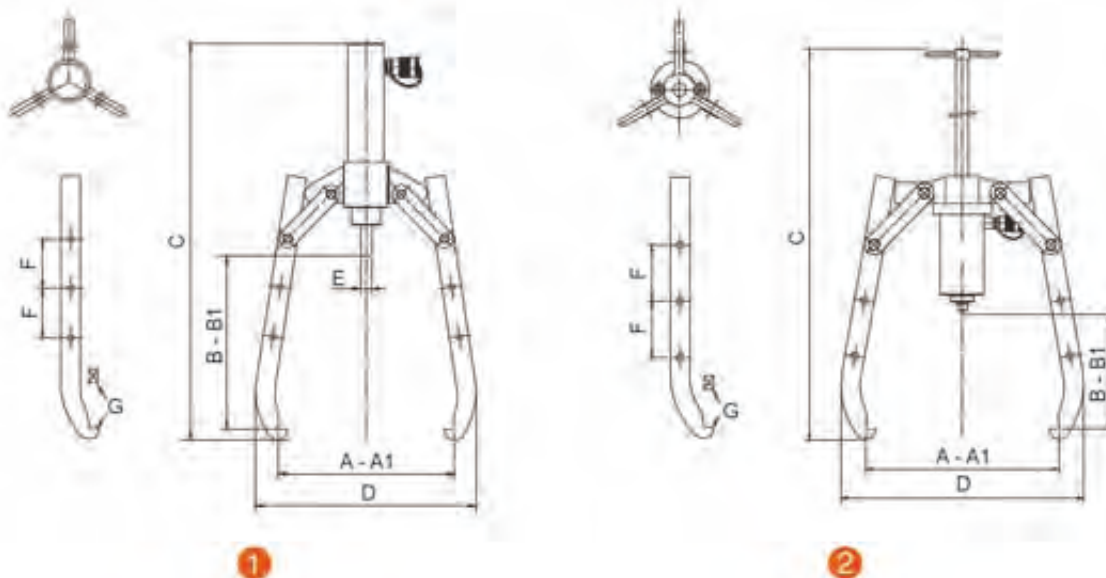
model	HP 5	HP 10	HP 17	HP 30
art no	100.562.001	100.562.002	100.562.003	100.562.004
A (min. / max.)	mm 30 / 150	50 / 295	80 / 390	100 / 485
B (min. / max.)	mm 50 / 150	130 / 290	10 / 240	60 / 310
C (max.)	mm 350	660	950	1200
D (max.)	mm 200	375	490	630
E	mm 16	19	-	-
F	mm 50	80	115	125
G	mm 20 x 7	25 x 15	32 x 18	40 x 22
weight excl. cylinder	kg 2.2	8.5	18.5	36.5
required cylinder	model HTJ 5 S 12	HCJ 10 S 15	HHJ 17 S 5	HHJ 30 S 7.5
weight incl. cylinder	kg 4	13.5	27.5	51

Required cylinders - spring return



model	HTJ 5 S 12	HCJ 10 S 15	HHJ 17 S 5	HHJ 30 S 7.5
art no	100.112.004	100.112.063	100.112.023	100.112.055
working pressure	bars/Mpa 720 / 72	720 / 72	720 / 72	720 / 72
tonnage	t 5	10	17	30
stroke length	mm 120	150	50	75
closed height	mm 202	292	195	226
capacity	kN/t 47.5 / 48	99.3 / 10.1	169.6 / 17.3	293.7 / 30
oil content	cm ³ 80	207	118	306
effective pressure area	cm ² 6.6	13.8	23.6	40.8
weight	kg 1.7	5.1	7.3	15
maintenance set	art no 100.113.021	100.113.121	100.113.015	100.113.481
recommended pump	model HTS 550 A	HTS 550 A	HTS 550 A	HTS 550 A
pressure gauge	model A 501	A 501	A 500	A 508

(1) HP 5 / HP 10 (2) HP 17 / HP 30



Specifications / important properties ↓

- adjustable for broad range of pulleys
- compact and lightweight
- usable in all positions
- the required cylinders for each puller set must be ordered separately!

Available on request ↓

- cylinders manufactured in conformity with customer specifications

Hydraulic pumps
Hydraulic hoses
Pressure gauges

pag. 94
pag. 110
pag. 112



HP 5



HP 17

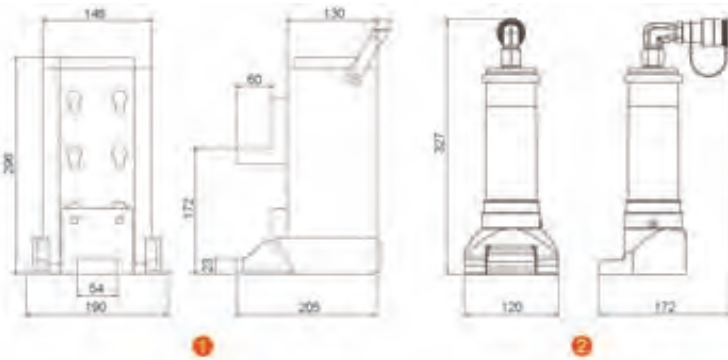


Toe cylinders - spring return



model	HMJ 10 S 15 U	TJ 8 S 13
art no	100.569.002	100.112.102
working pressure bars/Mpa	720 / 72	720 / 72
tonnage t	10	8
stroke length mm	150	130
closed height mm	280	319
capacity (head) kN/t	99.3 / 10.1	- / -
capacity (toe) kN/t	65 / 6 t/m 98 / 9	88.3 / 8.4
oil content cm ³	208	207
weight kg	17.2	6.5
maintenance set art no	100.113.121	150.013.936
recommended pump model	HTS 550 A	HTS 550 A
pressure gauge model	A 501	A 501

(1) HMJ 10 S 15 U (2) TJ 8 S 13



Specifications / important properties



- HMJ 10 S 15 U
 - toe height adjustable in 3 positions: 23, 92 and 172 mm
 - protected against ejection of the plunger
 - telescopic support legs
- TJ 8 S 13
 - anti-skid profile on the toe
 - usable in all positions
 - compact construction, low weight
 - minimum tip clearance 18.5 mm
 - toe can be rotated 360°

Available on request



- cylinders manufactured in conformity with customer specifications

Hydraulic pumps
Hydraulic hoses
Pressure gauges

pag. 94
pag. 110
pag. 112



HMJ 10 S 15 U

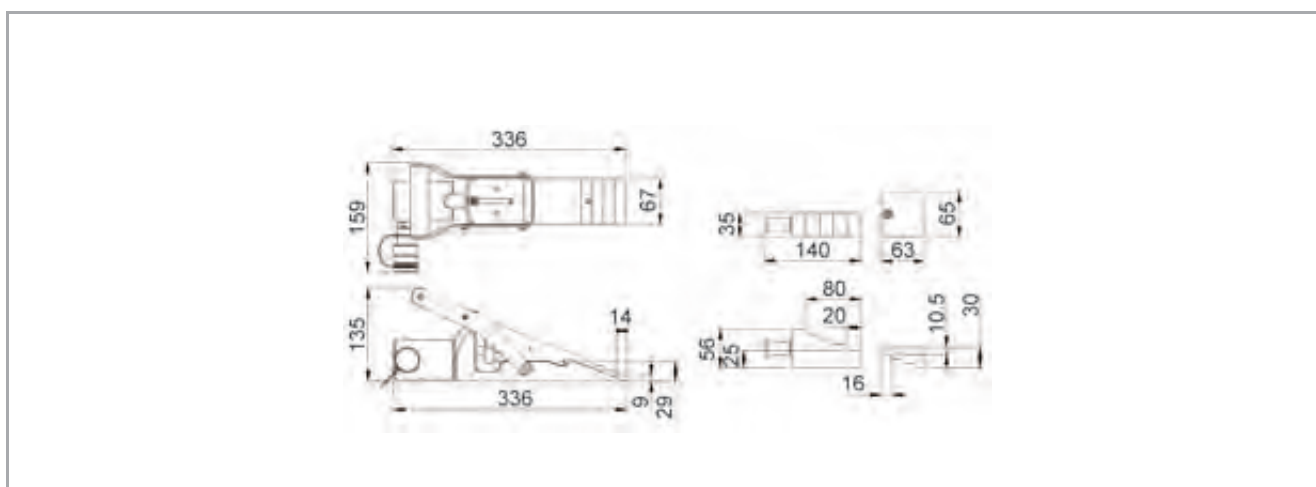


TJ 8 S 13

Verticale lifting wedge - spring return



model	HVLW 16 S 2	
art no	100.112.104	
working pressure bars/Mpa	720 / 72	
tonnage t	16	
min. insertion space mm	10	
lifting stroke mm	19	
spreading force kN/t	156.6 / 16	
oil content cm ³	75	
weight kg	8.8	
maintenance set art no	100.113.121	
recommended pump model	HTS 550 A	
pressure gauge model	A 500	



Specifications / important properties



- 100% vertical lifting movement
 - prevents misalignment of load
- automatic mechanical retraction of lifting plate
- minimum tip clearance (10 mm)
- vertical lifting stroke of 19 mm at each step
- standard delivered in plastic carrying box, including:
 - safety block
 - step block
 - grease pistol
 - grease cartridge Molycote

Hydraulic pumps
Hydraulic hoses
Pressure gauges

pag. 94
pag. 110
pag. 112



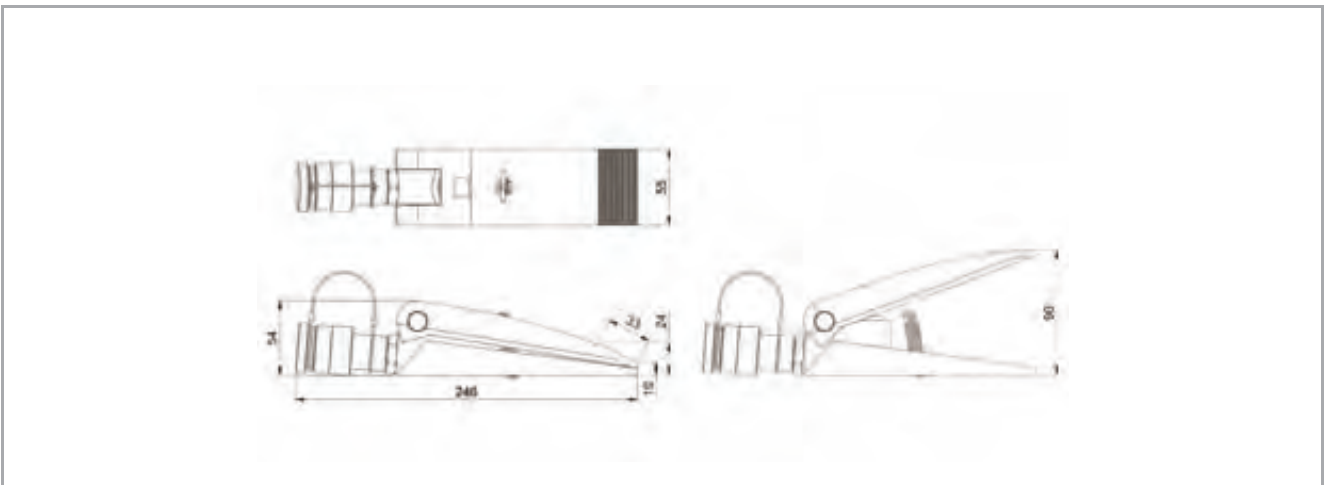
HVLW 16 S 2



HVLW 16 S 2 in case

Wedge - spring return

model	HW 1000	
art no	100.562.009	
working pressure bars/Mpa	720 / 72	
tonnage t	1	
min. insertion space mm	16	
lifting stroke mm	98	
spreading force kN/t	10 / 1.1	
oil content cm ³	10	
weight kg	2.1	
maintenance set art no	150.563.075	
recommended pump model	HTS 550 A	
pressure gauge model	A 500	

**Specifications** / important properties

- compact
- lightweight
- anti-skid profile on wedge arms
- usable in all positions

Hydraulic pumps
Hydraulic hoses
Pressure gauges

pag. 94
pag. 110
pag. 112

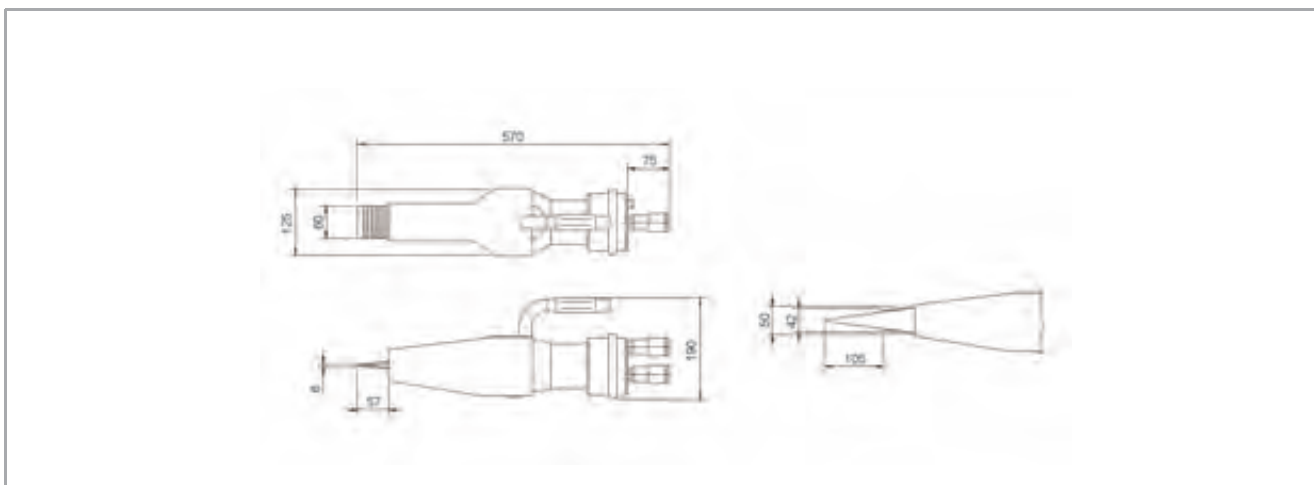


HW 1000

Wedge - hydraulic return



model	HWJ 25 U	
art no	100.102.021	
working pressure bars/Mpa	720 / 72	
tonnage t	25	
min. insertion space mm	5	
lifting stroke mm	50	
spreading force kN/t	235.4 / 24	
oil content press cm ³	328	
oil content retract cm ³	217	
weight kg	8.1	
maintenance set art no	100.103.081	
recommended pump model	HTW 1800 B + M 321	
pressure gauge model	A 500	



Specifications / important properties



- minimum tip clearance (5 mm)
- compact construction
- low weight
- anti-skid profile on wedge blades
- usable in all positions

Hydraulic pumps
Hydraulic hoses
Pressure gauges

pag. 94
pag. 110
pag. 112



HWJ 25 U

Flange spreaders - spring return

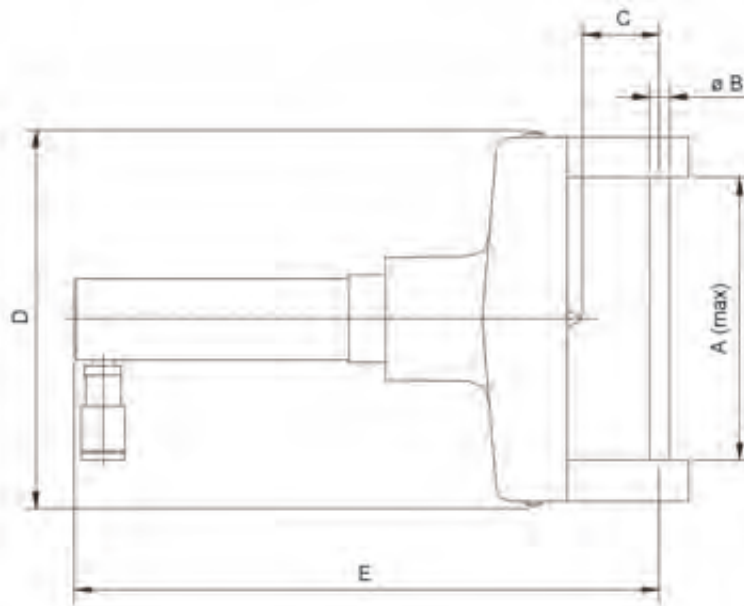


model	FLS 85 NU	FLS 170 NU	FLS 210 NU
art no	100.102.001	100.102.011	100.102.004
working pressure bars/Mpa	720 / 72	720 / 72	720 / 72
spreading force 60° wedge kN/t	34.3 / 3.5	34.3 / 3.5	34.3 / 3.5
spreading force 30° wedge kN/t	73.5 / 7.5	73.5 / 7.5	73.5 / 7.5
flange opening 60° wedge min	3 mm	3 mm	3 mm
flange opening 60° wedge max	32 mm	32 mm	32 mm
flange opening 30° wedge min	2 mm	2 mm	2 mm
flange opening 30° wedge max	25 mm	25 mm	25 mm
oil content cm ³	50	50	50
weight incl. case kg	6.3	9.5	11
weight spreader kg	4.5	8	9.5
maintenance set art no	100.113.021	100.113.021	100.113.021
recommended pump model	HTS 550 A	HTS 550 A	HTS 550 A
pressure gauge model	A 500	A 500	A 500

Flange spreaders - spring return (dimensions)



model	FLS 85 NU	FLS 170 NU	FLS 210 NU
A mm	85	170	210
B mm	15	20	30
C mm	30	32.5	75
D mm	128	208	255
E mm	263	266	348



Specifications / important properties ↓

- standard delivered with 60° spreading wedge
- safe
 - no flying off parts or sparks
- compact and lightweight
- easy to use
- two or more can be used for a more equal distribution of forces
- standard delivered in plastic carrying box, including:
 - high-grade grease Molycote

Available on request ↓

- spreading wedge with 30° angle for:
 - FLS 85 NU, art no 100.103.009
 - FLS 170 NU, art no 100.103.018
- flange spreader with opening larger than 210 mm

Hydraulic pumps
Hydraulic hoses
Pressure gauges

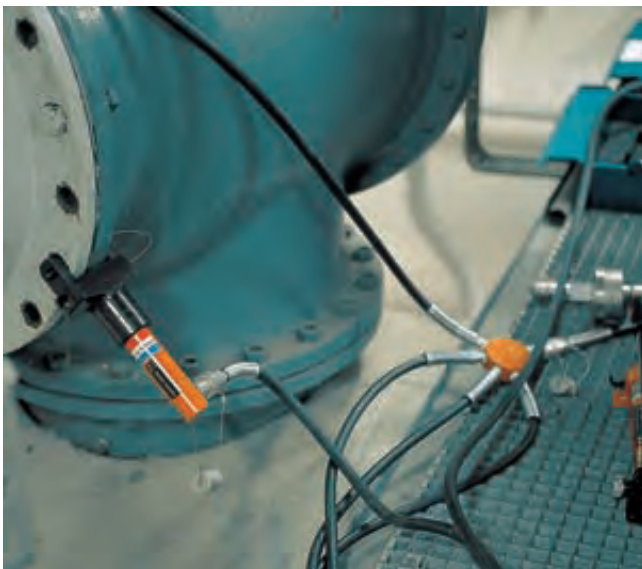
pag. 94
pag. 110
pag. 112



FLS 85 NU



FLS 170 NU



FLS 210 NU

Nut splitters - spring return



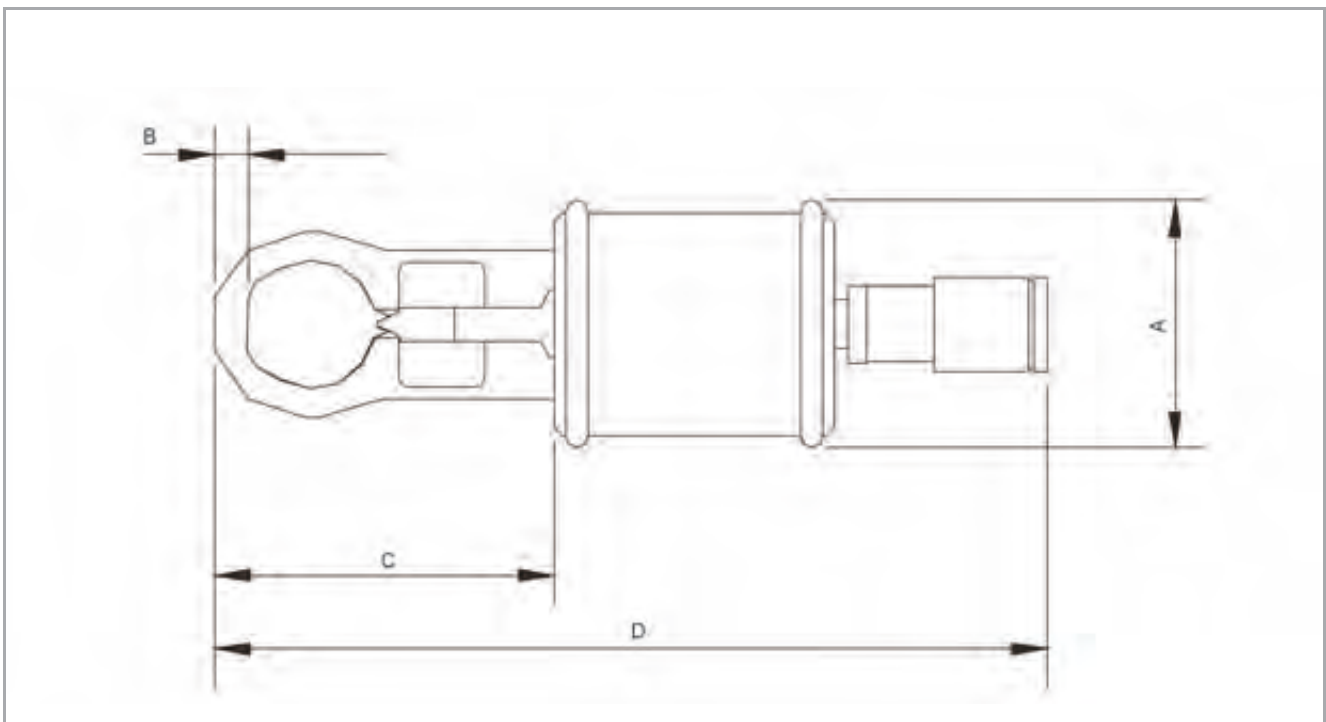
model	HNC 1536 NU		HNC 3250 U	
art no	100.102.009		100.102.006	
working pressure	bars/Mpa	720 / 72	720 / 72	
splitting capacity	kN/t	148 / 15	316 / 32	
min. reach bolt	met. size	M12 (½")	M22 (7/8")	
min. reach bolt	hex. size	19 mm (¾")	32 mm (1¼")	
max. reach category 8 bolt	met. size	M24 (7/8")	M33 (1¼")	
max. reach category 8 bolt	hex.size	36 mm (1 7/16")	50 mm (2")	
max. reach 2H bolt	met. size	M20 (¾")	M33 (1¼")	
max. reach 2H bolt	hex. size	30 mm (1¼")	50 mm (2")	
oil content	cm ³	32	57	
weight incl. case	kg	4.2	8.6	
weight tool	kg	2.9	7.2	
maintenance set	art no	100.103.035	100.103.059	
recommended pump	model	HTS 550 A	HTS 550 A	

Nut splitters - spring return (dimensions)



model	HNC 1536 NU		HNC 3250 U	
A	mm	86	118	
B	mm	11	19	
C	mm	104 / 117	139 / 148	
D	mm	277 / 290	321 / 330	
thickness cutting head	mm	23	33	

Replacement Blade HNC1536NU - Art. No. 100.103.085
 Replacement Blade HNC3250U - Art. No. 100.103.084



Specifications / important properties ↓

- compact
- lightweight
- usable in all positions
- safe
 - no flying off parts or sparks
- adjustable blade
 - prevents damage to the thread
- standard delivered in plastic carrying box, including:
 - high-grade grease Molycote
 - spare blade

Hydraulic pumps
Hydraulic hoses
Pressure gauges

pag. 94
pag. 110
pag. 112



HNC 1536 NU



HNC 3250 U

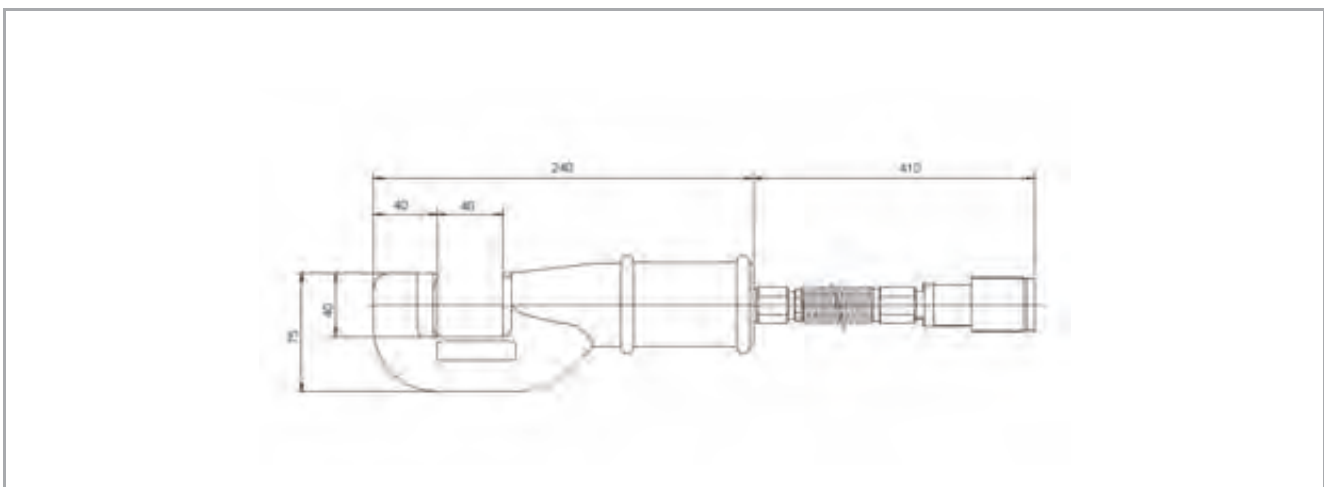


HNC 3250 U with adjustable head

Mini cutter - spring return



model	HMC 8 U	
art no	100.102.032	
working pressure bars/Mpa	720 / 72	
max. cutting force kN/t	78.5 / 8	
max. blade opening mm	40	
max. Ø reinforcing steel mm	16	
capacity steel strip mm	35 x 4	
oil content cm ³	43	
weight kg	3	
maintenance set art no	150.013.178	
recommended pump model	HTS 550 A	



Specifications / important properties



- compact
- lightweight
- convenient in small spaces and at difficultly accessible places
- spark-free
 - safe alternative for grinding

Hydraulic pumps
Hydraulic hoses
Pressure gauges

pag. 94
pag. 110
pag. 112



HMC 8 U



HMC 8 U detail

Steel cable cutters - spring return



model	HWC 16 U	HWC 20 U	HWC 32 U
art no	100.522.016	100.522.020	100.522.032
working pressure bars/Mpa	720 / 72	720 / 72	720 / 72
capacity kN/t	54.3 / 5.5	152.9 / 15.6	261.5 / 26.6
max. blade opening Ø	20 mm	50 mm	32 mm
capacity steel cable 6x7 Ø	16 mm	25 mm	32 mm
capacity steel cable 6x12 Ø	20 mm	30 mm	32 mm
capacity steel cable 6x19 Ø	20 mm	30 mm	32 mm
capacity solid steel Ø	16 mm	22 mm	25 mm
capacity reinforcing steel Ø	13 mm	19 mm	25 mm
oil content cm ³	18	120	135
weight kg	2.3	8.5	7.5
maintenance set art no	100.523.001	100.523.101	100.523.201
recommended pump model	HTS 550 A	HTS 550 A	HTS 550 A

(1) HWC 16 U (2) HWC 20 U (3) HWC 32 U



Specifications / important properties



- compact
- lightweight
- spark-free
 - safe alternative for grinding
- quick and reliable
- usable in all positions
- hardened blade that can be sharpened

Hydraulic pumps
Hydraulic hoses
Pressure gauges

pag. 94
pag. 110
pag. 112



HWC 16 U



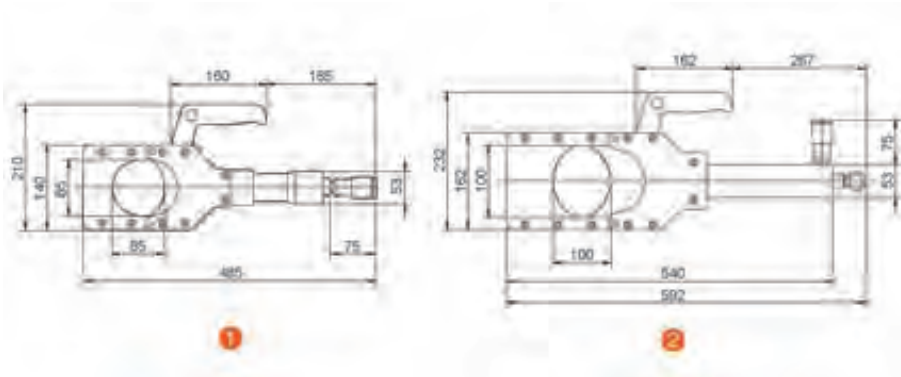
HWC 32 U

Power cable cutters - spring return



model	HCC 85 U	HCC 100 U
art no	100.522.085	100.522.100
working pressure bars/Mpa	720 / 72	720 / 72
capacity kN/t	50.9 / 5.2	90.5 / 9.2
max. blade opening Ø	85 mm	100 mm
capacity ground cable Ø	50 mm	75 mm
capacity telephone cable Ø	85 mm	100 mm
oil content cm ³	65	140
weight kg	6.2	12.5
maintenance set art no	100.523.301	100.523.401
recommended pump model	HTS 550 A	HTS 550 A

(1) HCC 85 U (2) HCC 100 U



Specifications / important properties



- compact
- lightweight
- spark-free
 - safe alternative for grinding
- quick and reliable
- usable in all positions
- hardened blade that can be sharpened

Hydraulic pumps
Hydraulic hoses
Pressure gauges

pag. 94
pag. 110
pag. 112



HCC 85 U

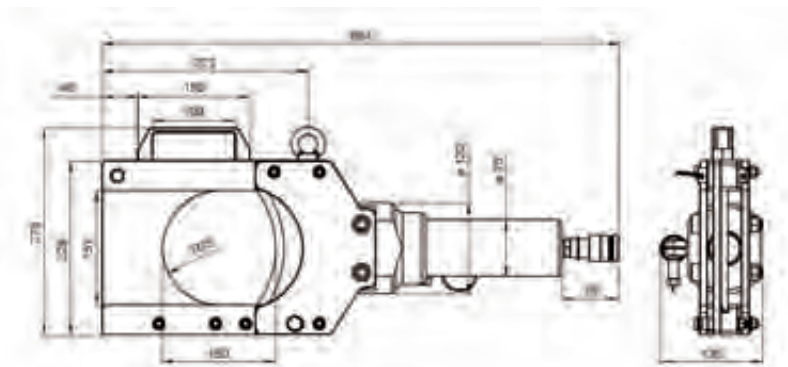


HCC 100 U

Power cable cutters - hydraulic return



model	HCC 150	
art no	100.522.150	
working pressure bars/Mpa	720 / 72	
capacity kN/t	203.6 / 20.8	
max. blade opening Ø	150 mm	
capacity ground cable Ø	140 mm	
capacity telephone cable Ø	150 mm	
oil content press cm ³	452	
oil content retract cm ³	209	
weight kg	24.9	
maintenance set art no	100.013.041	
recommended pump model	HTW 1800 B + M 321	



Specifications / important properties



- compact
- lightweight
- spark-free
 - safe alternative for grinding
- quick and reliable
- usable in all positions
- hardened blade that can be sharpened

Hydraulic pumps
Hydraulic hoses
Pressure gauges

pag. 94
pag. 110
pag. 112



HCC 150 U

Pipe squeezer - spring return

model	HPS 60 AU	
art no	100.102.019	
working pressure bars/Mpa	720 / 72	
squeezing force kN/t	152.9 / 15.6	
max. Ø pipe (external) mm	60	
max. wall thickness pipe mm	4	
oil content cm ³	130	
weight kg	8.6	
maintenance set art no	150.563.310	
recommended pump model	HTS 550 A	

**Specifications** / important properties

- compact
- lightweight
- jaw with quick-lock ring

Hydraulic pumps
Hydraulic hoses
Pressure gauges

pag. 94
pag. 110
pag. 112



HPS 60 AU